



Fuel

Specification Guide

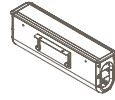
Fuel

The aesthetic of the Fuel powerbox is simple and elegant with clean lines making all four models both visually appealing and physically sturdy.

Fuel

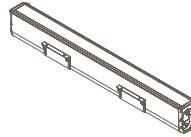
Fuel 90

6



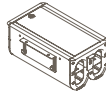
Fuel 91

7



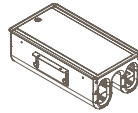
Fuel 95

8



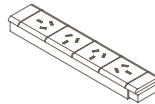
Fuel 98

9

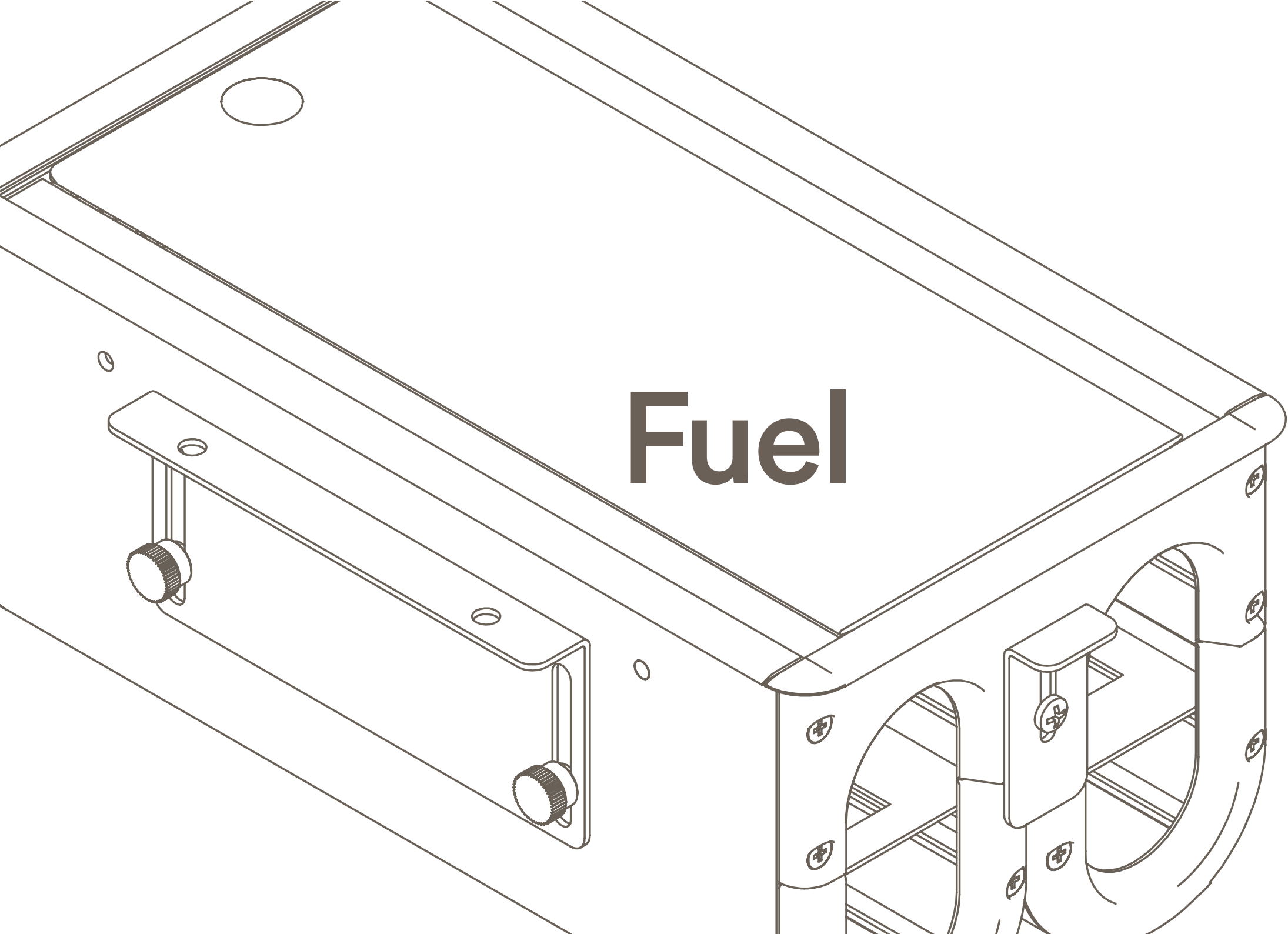


Power, Data +
AV Accessories

10



Fuel



Fuel

Features & Finishes

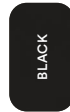
1. Lid

- a. Silver Anodized
- b. Black Powdercoat
- c. Veneer



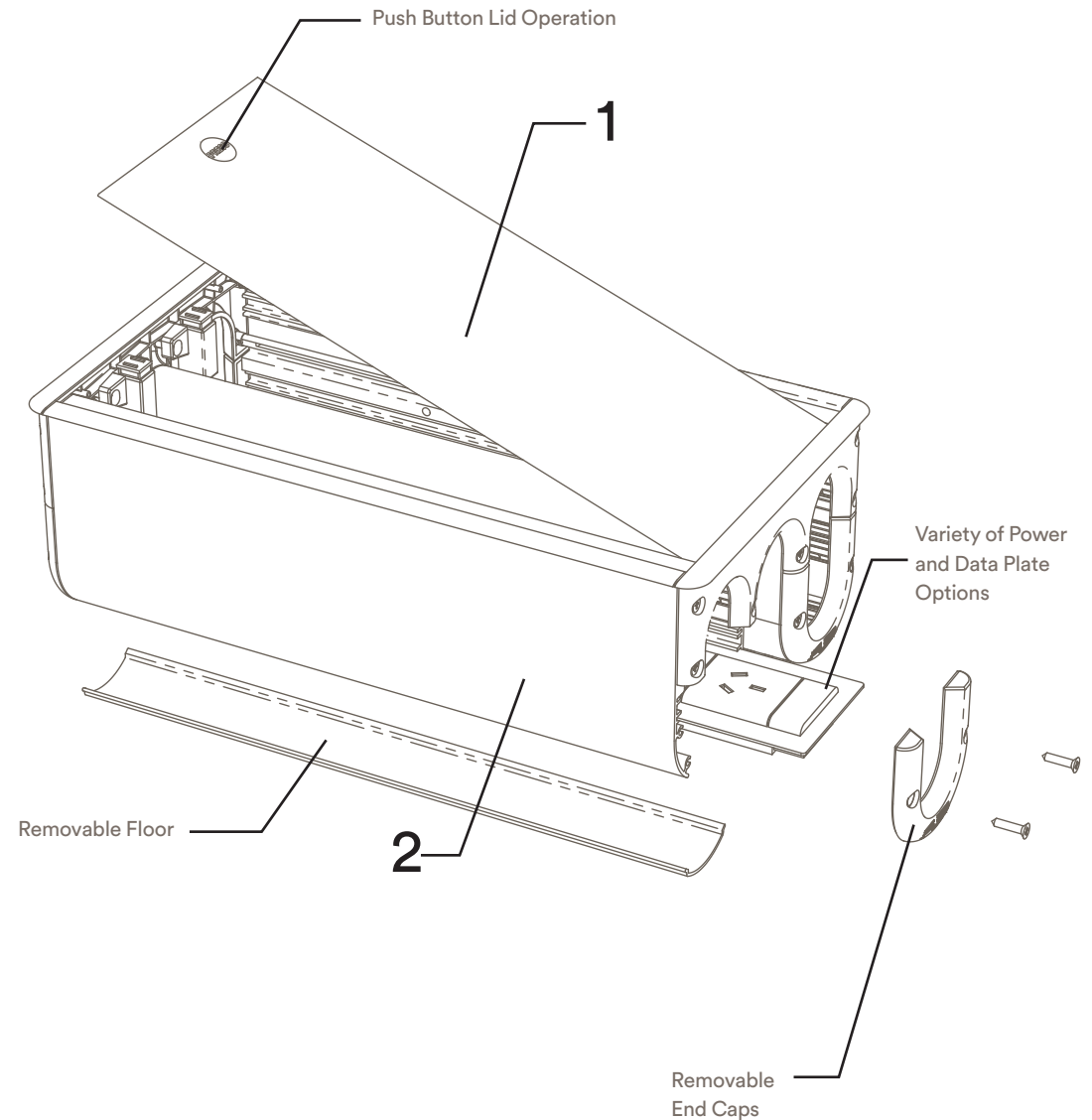
2. Chassis

- a. Black Powdercoat



Features

- Single or Double sided access
- Suitable for Single or Multiple Users
- 4-10 x GPO's
- 3-10 x Data
- Removable Floor - No Cable Bend Restrictions
- Removable end caps for post installation reconfiguration
- Custom mounting plates available
- "Push to Open" Magnetic Catch
- Up to 150mm of additional Mounting Points for Data + Audio/ Visual Accessories



Colours are representative only, please check with your Thinking Works consultant to view samples of any specific colour.

Fuel 90

Materials Information

Lid Finish

- a. Silver Anodized
- b. Black Powdercoat
- c. Veneer

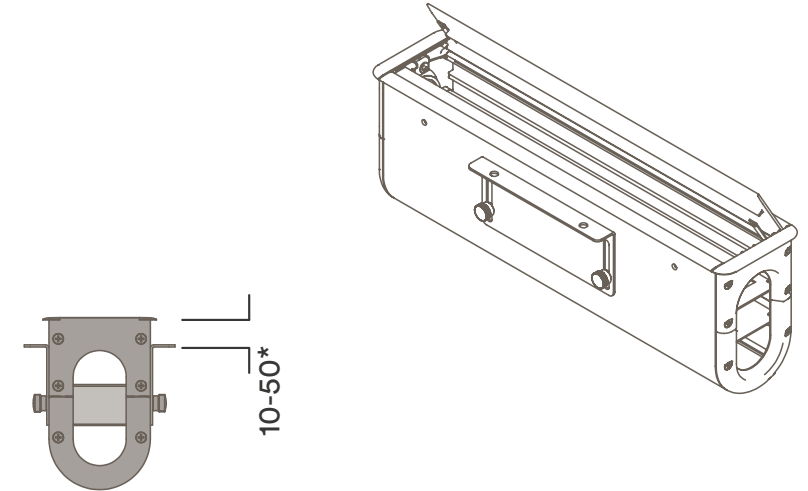
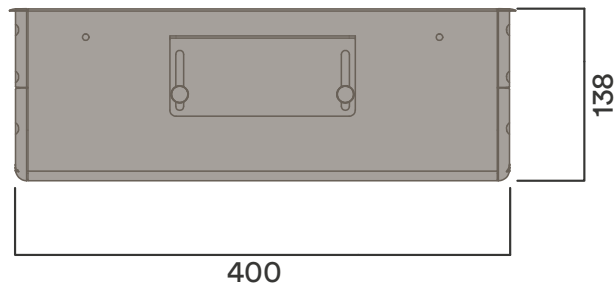
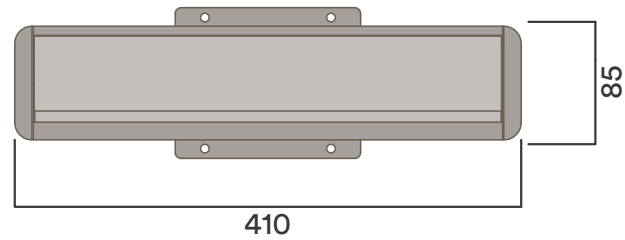
Chassis Finish

- a. Black Powdercoat

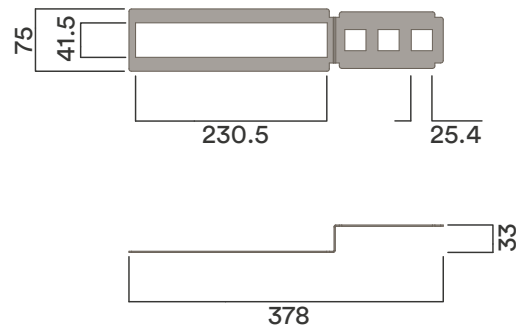
Data Mounting Plates

- a. Black Powdercoat

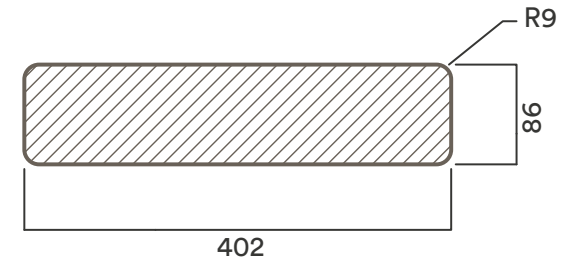
Fuel 90



Power/Data Cutouts



Worktop Cutout



Access
Users
GPO's supplied
Data provision
*Worktop Thickness

Single Sided
Single
4
3
Suits 10-50mm
Worktop

Fuel 91

Materials Information

Lid Finish

- a. Silver Anodized
- b. Black Powdercoat
- c. Veneer

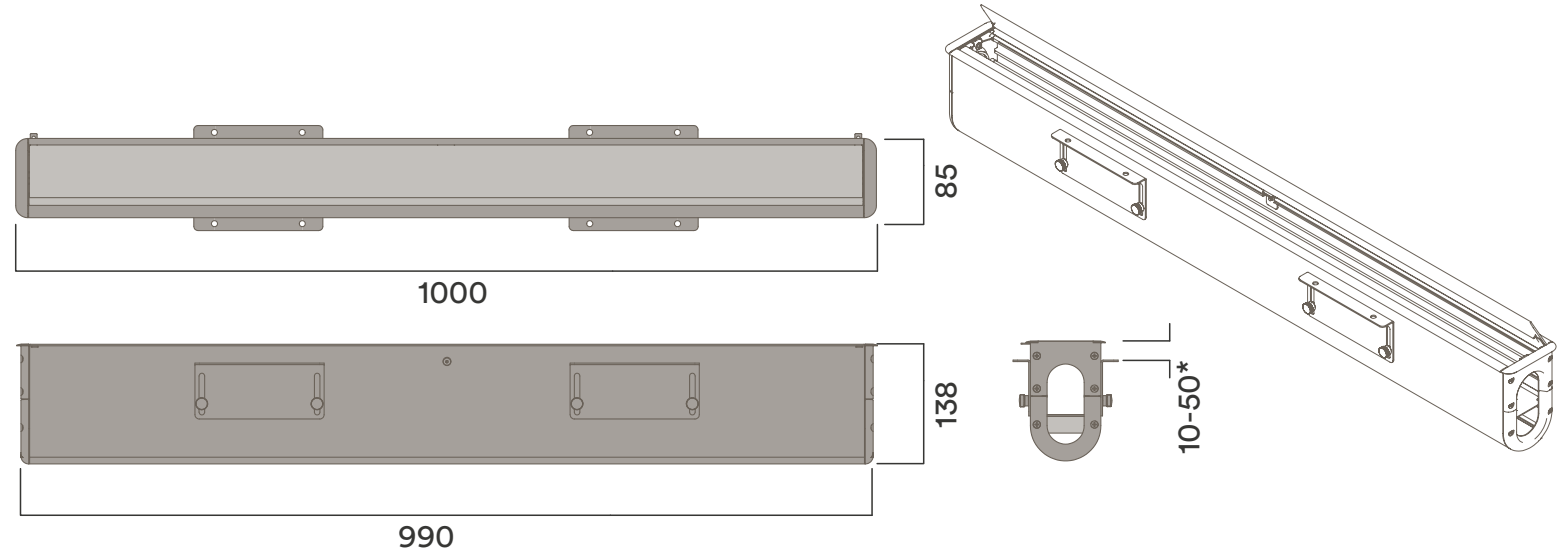
Chassis Finish

- a. Black Powdercoat

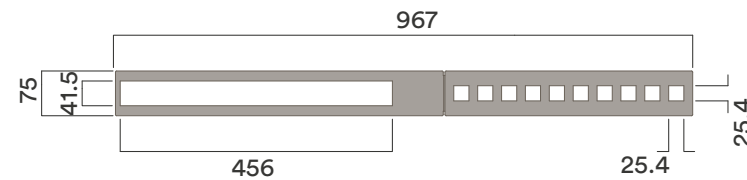
Data Mounting Plates

- a. Black Powdercoat

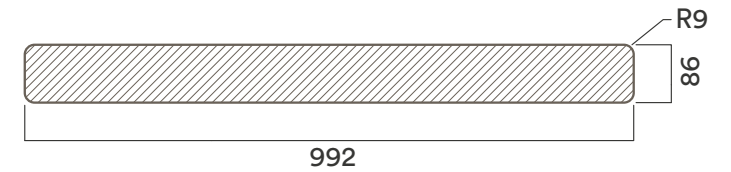
Fuel 91



Data Cutouts



Worktop Cutout



Access
Users
GPO's supplied
Data provision
*Worktop Thickness

Single Sided
Multiple
4 (Max 6)
10
Suits 10-50mm
Worktop

Fuel 95

Materials Information

Lid Finish

- a. Silver Anodized
- b. Black Powdercoat
- c. Veneer

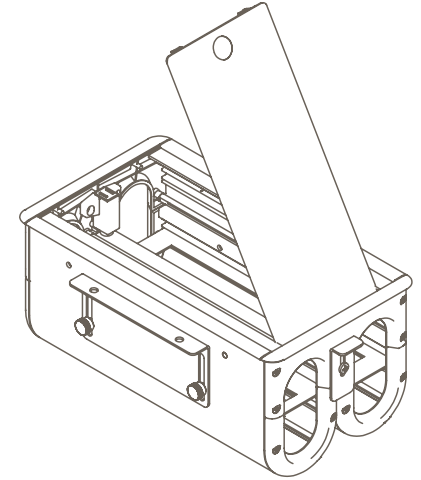
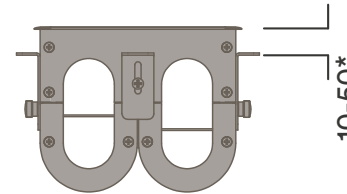
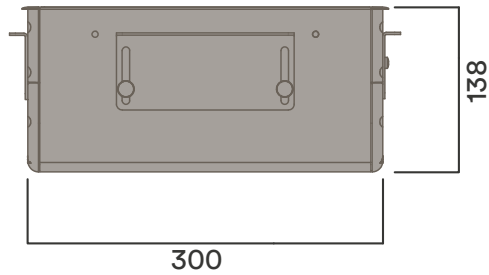
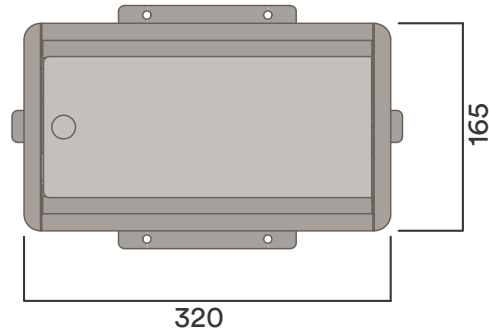
Chassis Finish

- a. Black Powdercoat

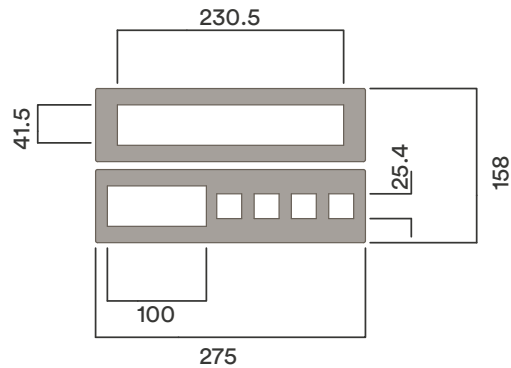
Data Mounting Plates

- a. Black Powdercoat

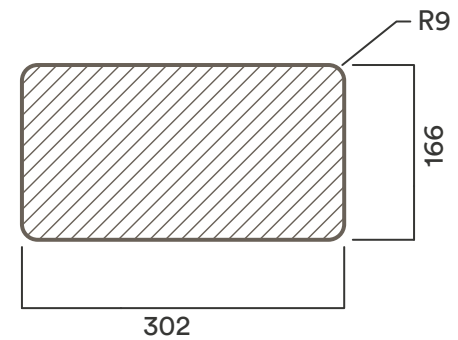
Fuel 95



Data Cutouts



Worktop Cutout



- | | |
|---------------------|-----------------------|
| Access | Double Sided |
| Users | Multiple |
| GPO's supplied | 4 |
| Data provision | 4 |
| Additional Mounting | 100mm |
| *Worktop Thickness | Suits 10-50mm Worktop |

Perfect For Meeting Tables and Desks

Fuel 98

Materials Information

Lid Finish

- a. Silver Anodized
- b. Black Powdercoat
- c. Veneer

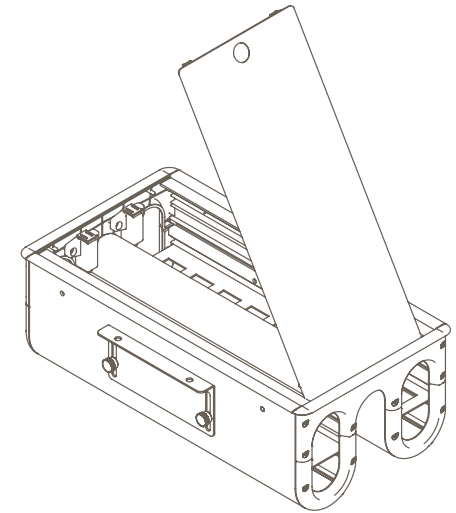
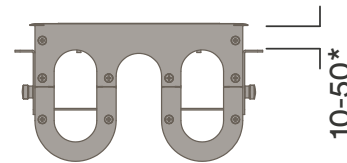
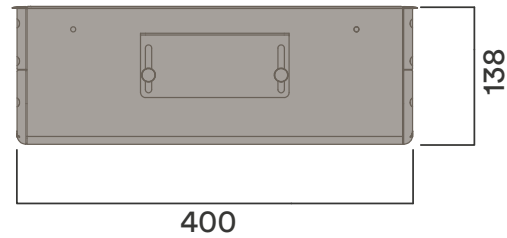
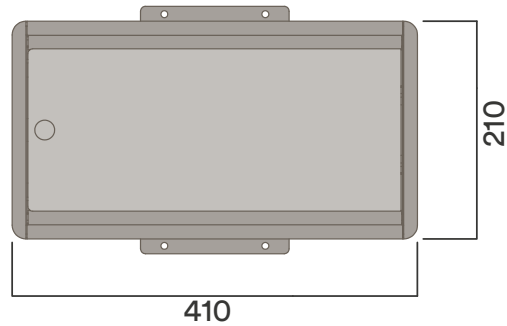
Chassis Finish

- a. Black Powdercoat

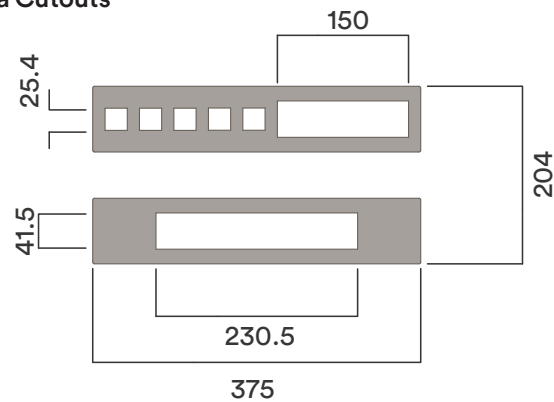
Data Mounting Plates

- a. Black Powdercoat

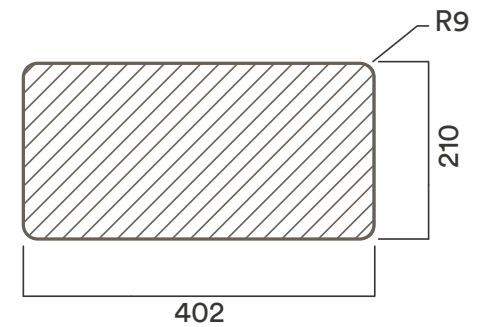
Fuel 98



Data Cutouts



Worktop Cutout



Access
Users
GPO's supplied
Data provision
Additional Mounting
*Worktop Thickness

Double Sided
Multiple
4 (Max 6)
5
150mm
Suits 10-50mm
Worktop

Perfect For Meeting Tables and Desks

Compatible Power, Data + Audio/Visual Accessories

Materials Information

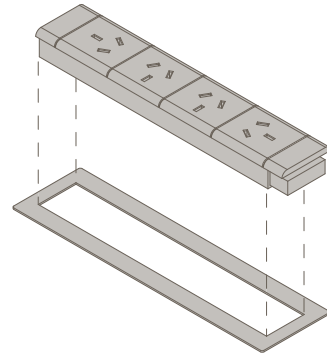
GPO Outlets

- a. Black
- b. White

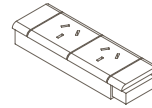
Tile

- a. Black
- b. White

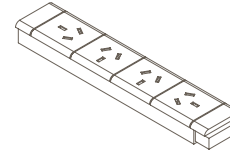
Compatible GPO Outlets



AUS

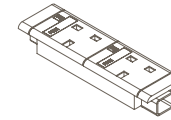


WSA-E-1001
AUS Double GPO unit

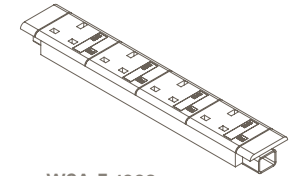


WSA-E-1000
AUS Quad GPO unit

UK

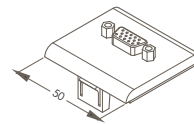
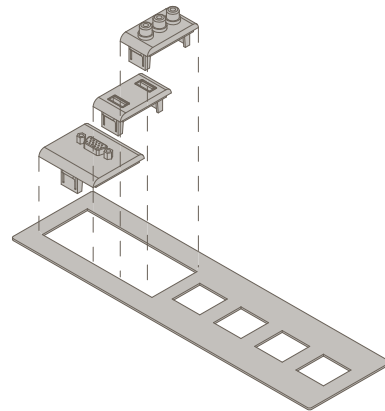


WSA-E-1007
UK/SGP Double GPO unit

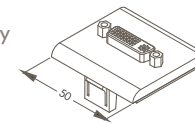


WSA-E-1008
UK/SGP Quad GPO unit

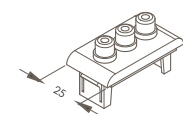
Data/Audio Visual



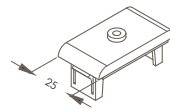
H-2000
VGA high density DB1 connector with rear screw termination



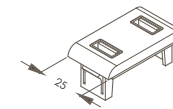
H-2001
DVI female barrel connector with rear screw termination



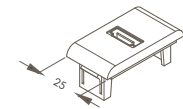
H-2002
RCA x 3 connector with solder tabs



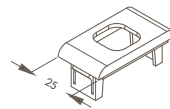
H-2003
3.5mm stereo jack connector with solder tabs



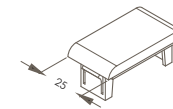
H-2004
USB x 2 port connector



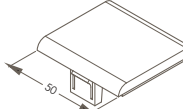
H-2005
HDMI connector



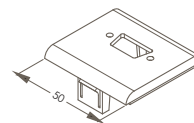
H-2006
Cut out for single data connector



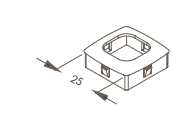
H-2007
25mm Blank



H-2008
50mm Blank



H-2010
Cut out for VGA high density DB15 connector



H-2030
Cut out for single data connector

Data + Audio/Visual Accessories are not supplied with Fuel Powerboxes

For specific Power and Data requirements please contact your local Thinking Works representative



Specification

Due to our policy of continuous product development, specifications and finishes may change without prior notice.

Sustainability Policy

We realise the importance of responsible business practices and have in place numerous product and company sustainability certifications. We would encourage you to download our annual Sustainability Report from the Thinking Works website to get a full overview of our sustainability program.

