



Ovation

Specification Guide

Ovation

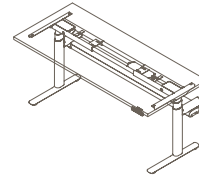
The Ovation Height-Adjustable Workstation System is the latest table system from Thinking Works.

It's unique oval profile and design elements provide countless possibilities and flexibility to suit any workplace environment.

Ovation

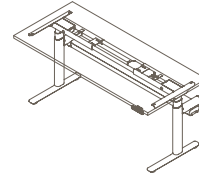
Electric

7-9



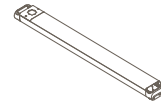
Fixed Height

10-13



Accessories

14-23



Safety Features

24



Ovation

Ovation Features

Dimensions

Minimum Height	590mm
Maximum Height	1210mm

(Dimensions to underside of worktop)

Weight Capacity 2 leg	100kg
Weight Capacity 3 Leg	150kg

(Evenly Distributed Load including worktop)

(Maximum Point Load 30kgs)

Functions

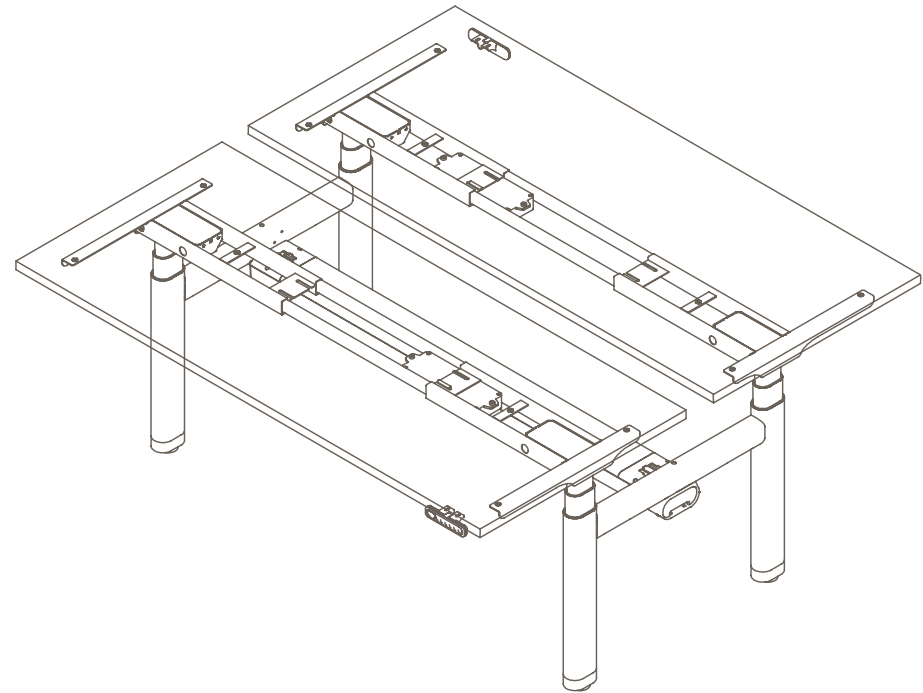
- 3 programmable height settings with Electronic Display
- Built-in Impact Stop Function
- 3 Stage lifting Column with Spindle Drive
- Travel Speed = 35mm/Second
- Noise <50dB
- Standby power consumption 0.5W

Warranty

Electric Frame	10yrs
Electrical Components	5yrs

Country of Origin

Australia



For additional Technical Information, please check with your local Thinking Works consultant.

Ovation Finishes

1. Frame Powdercoat

All steel frame is available in Noir and Blanc powdercoat.



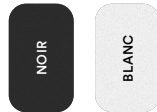
2. Cable Tray

Aluminium cable management tray is available in Noir and Blanc powdercoat.



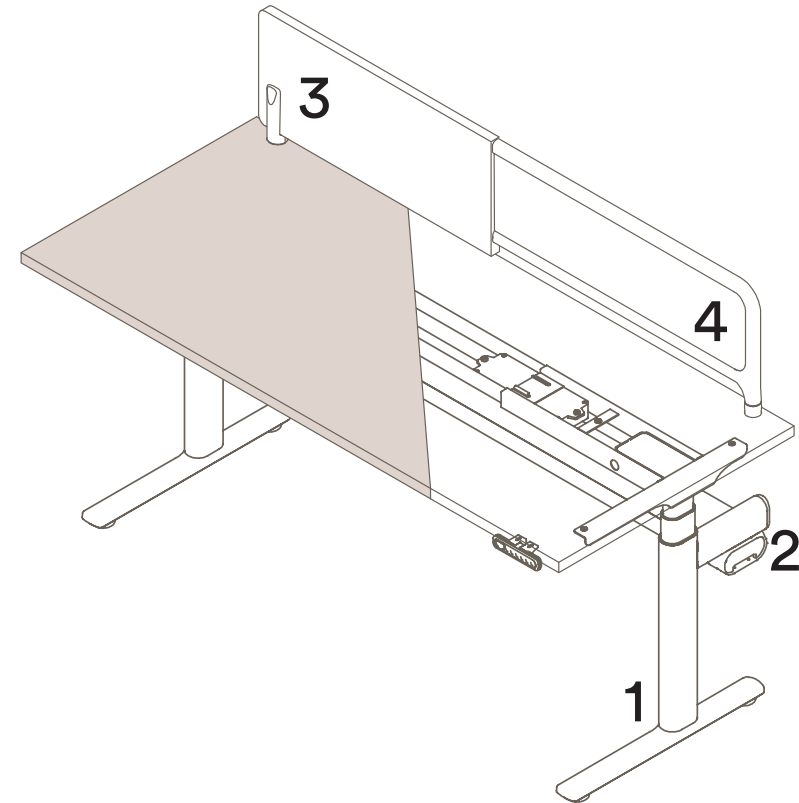
3. Acoustic Screen

Our Ovation screen is available in Dark Grey and Light Grey acoustic panel. Screen mounts are finished in Noir and Blanc powdercoat.



4. Framed Acoustic Screen

Our unique Ovation framed screen is available in Dark Grey and Light Grey acoustic panel or upholstered with customer supplied fabric. The aluminium frame is finished in Noir and Blanc powdercoat.



Colours are representative only, please check with your Thinking Works consultant to view samples of any specific colour.

Electric Single Sided

Materials Information

Frame Finish

Powdercoat Steel

- a. Noir
- b. Blanc

Control Box & Handset Finish

- a. Black

Operating Noise Level

<50Db

Height Range

590mm to 1210mm to underside of worktop

Travel Speed

35/mm per second

Glide Adjustment

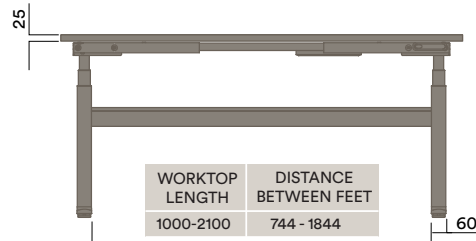
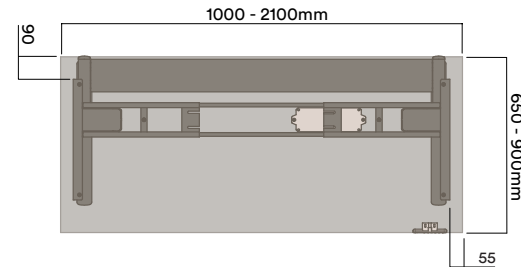
Plus or minus 5mm

Handset

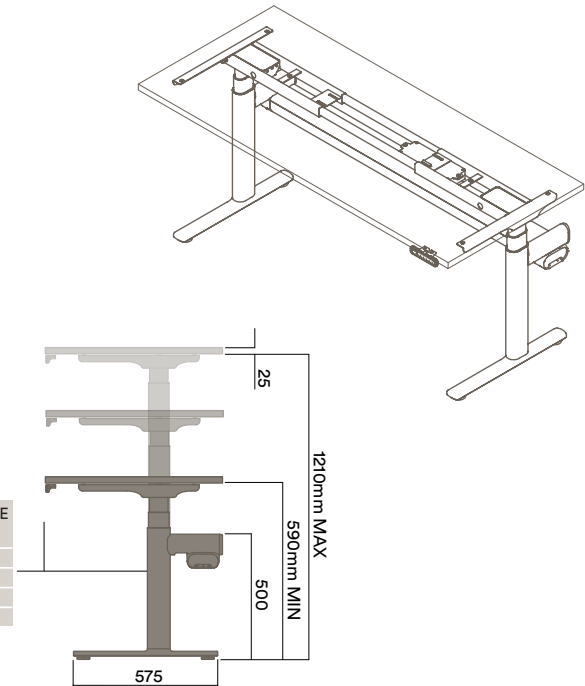
3 programmable height settings with electronic display

Maximum inc. worktop	100kg
Maximum Point Load	30kg
Seats	1

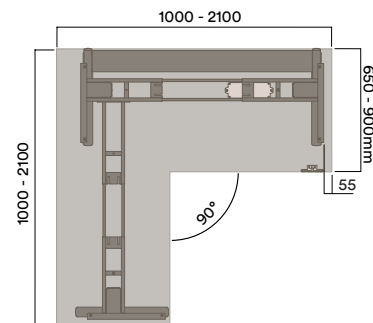
OVE-1000



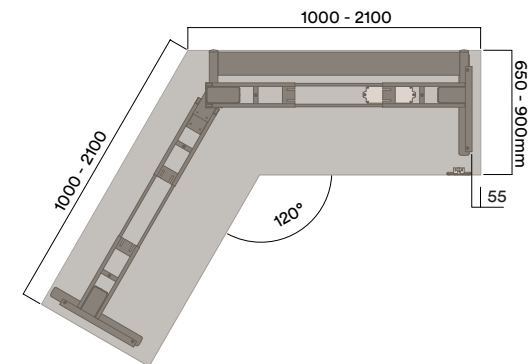
WORKTOP DEPTH	FRONT EDGE TO LEG
650	355
700	405
800	405
900	505



OVE-1090 1pax 90deg



OVE-1120 1pax 120deg



Electric Double Sided

Materials Information

Frame Finish

Powdercoat Steel

- a. Noir
- b. Blanc

Control Box & Handset Finish

- a. Black

Operating Noise Level

<50Db

Height Range

590mm to 1210mm to underside of worktop

Travel Speed

35/mm per second

Glide Adjustment

Plus or minus 5mm

Handset

3 programmable height settings with electronic display

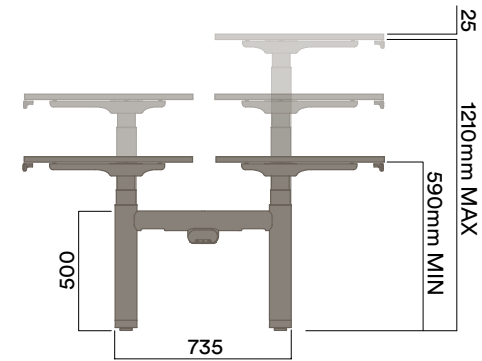
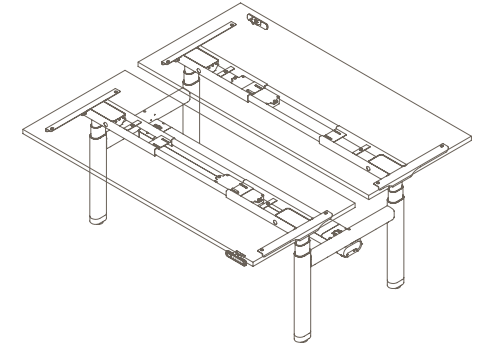
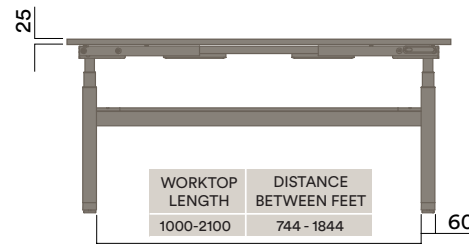
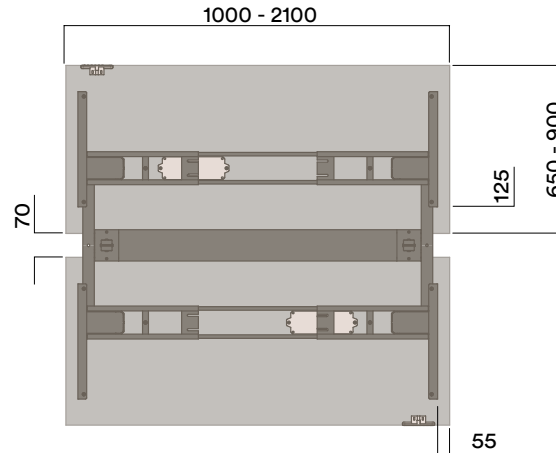
Maximum inc. worktop 150kg

Maximum Point Load 30kg

Seats 2

OVE-2000 2pax

H-Frame

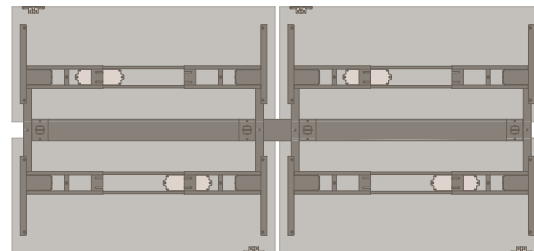


2x OVE-2000

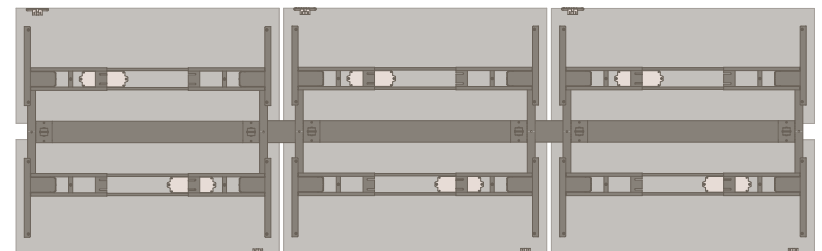
4pax Configuration

3x OVE-2000

6pax Configuration



MIN. 30mm



MIN. 30mm

Electric Double Sided

Materials Information

Frame Finish

Powdercoat Steel

- a. Noir
- b. Blanc

Control Box & Handset Finish

- a. Black

Operating Noise Level

<50Db

Height Range

590mm to 1210mm to underside of worktop

Travel Speed

35/mm per second

Glide Adjustment

Plus or minus 5mm

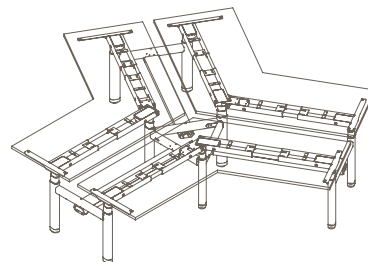
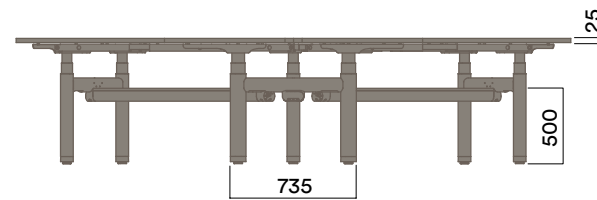
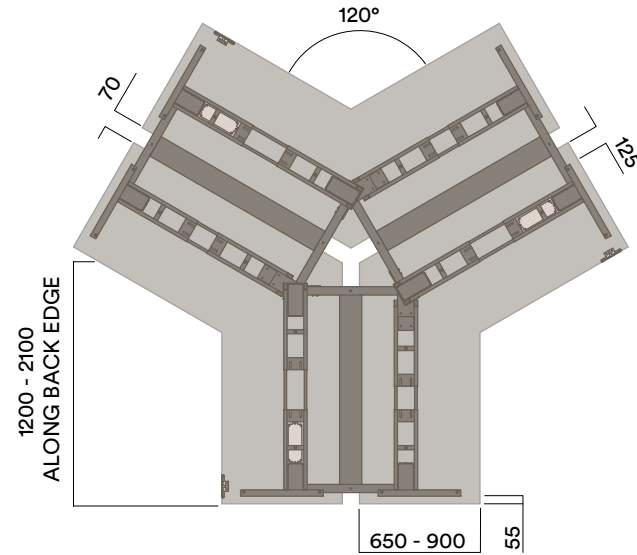
Handset

3 programmable height settings with electronic display

Maximum inc. worktop	150kg
Maximum Point Load	30kg
Seats	3 - 4

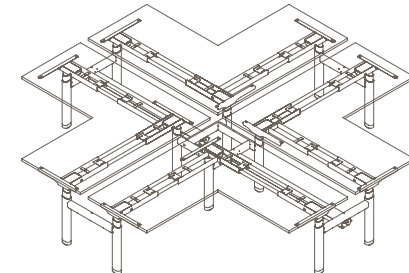
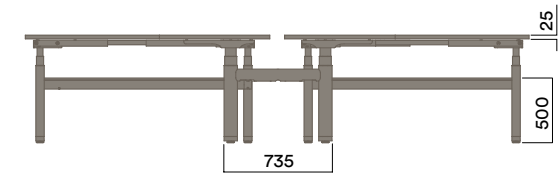
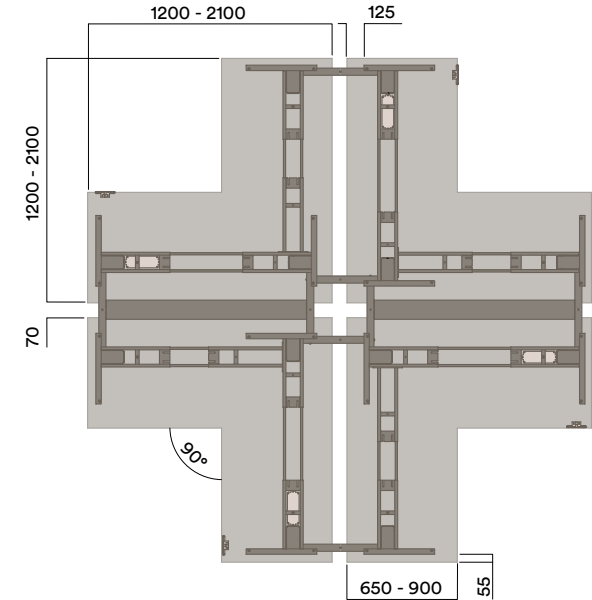
OVE-3120 3pax

120deg H-Frame



OVE-4090 4pax

90deg H-Frame



Fixed Single Sided

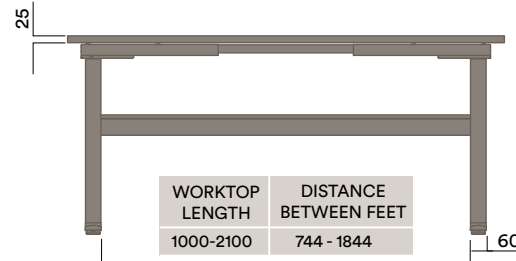
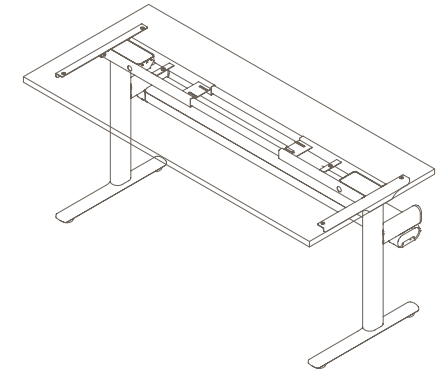
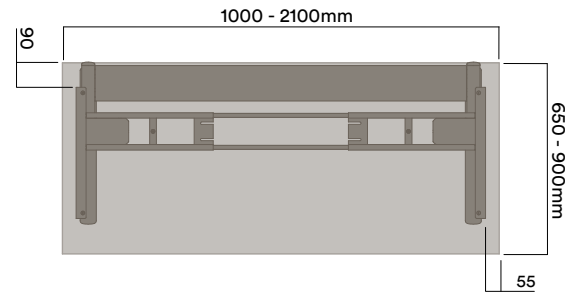
Materials Information

Frame Finish

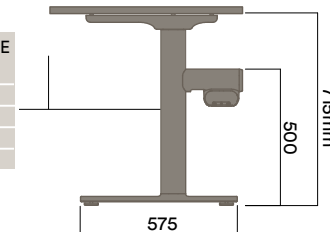
Powdercoat Steel

- a. Noir
- b. Blanc

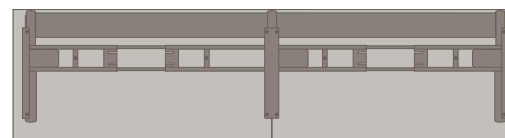
OVF-1000



WORKTOP DEPTH	FRONT EDGE TO LEG
650	355
700	405
800	405
900	505



OVF-1002 2pax



OVF-1003 3pax



Glide Adjustment

Plus or minus 5mm

Maximum inc. worktop 100kg
 Maximum Point Load 30kg
 Seats 1-3

Fixed Single Sided

Materials Information

Leg & Foot Finish

Powdercoat Steel Leg & Foot

- a. Noir
- b. Blanc

Frame Finish

Powdercoat Steel

- a. Noir
- b. Blanc

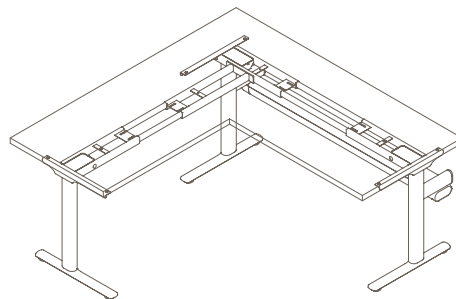
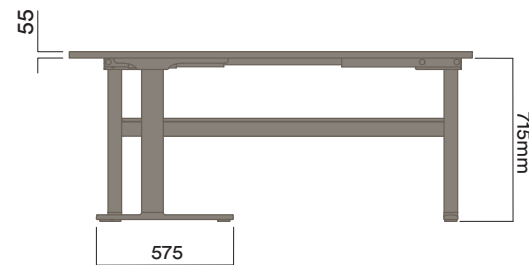
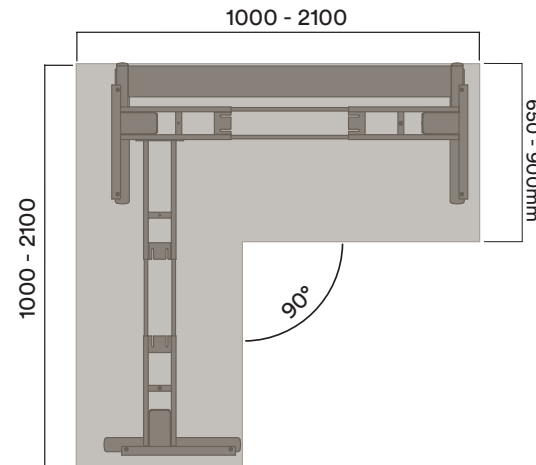
Glide Adjustment

Plus or minus 5mm

Maximum inc. worktop 100kg
 Maximum Point Load 30kg
 Seats 1

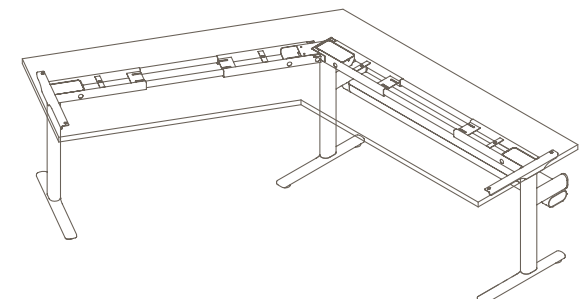
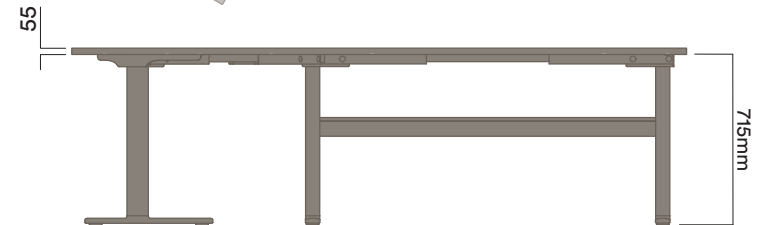
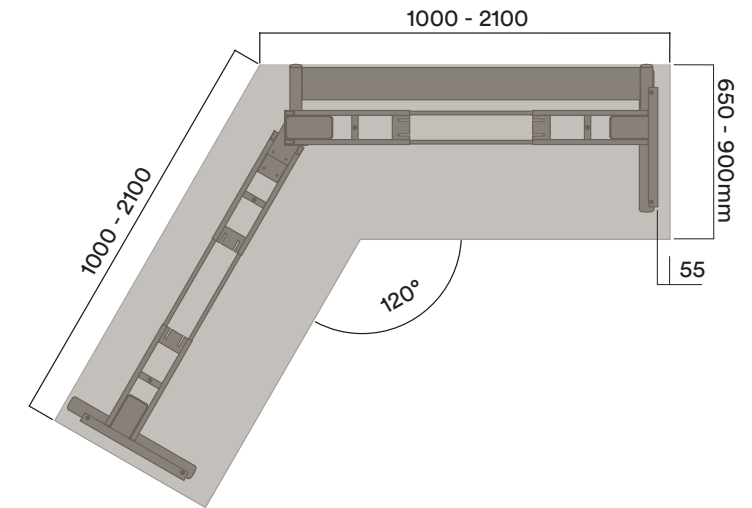
OVF-1090 1pax

90deg



OVF-1120 1pax

120deg



Fixed Double Sided

Materials Information

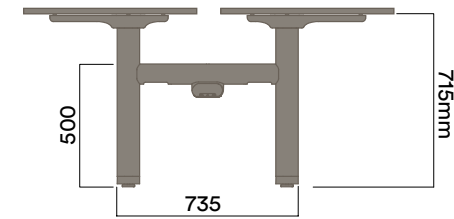
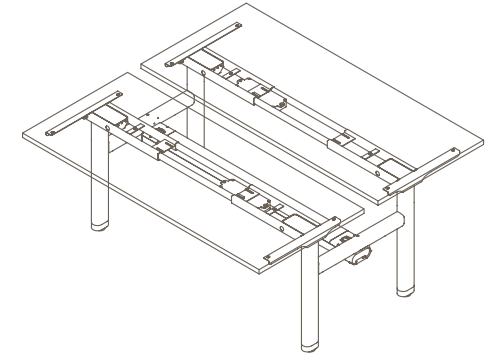
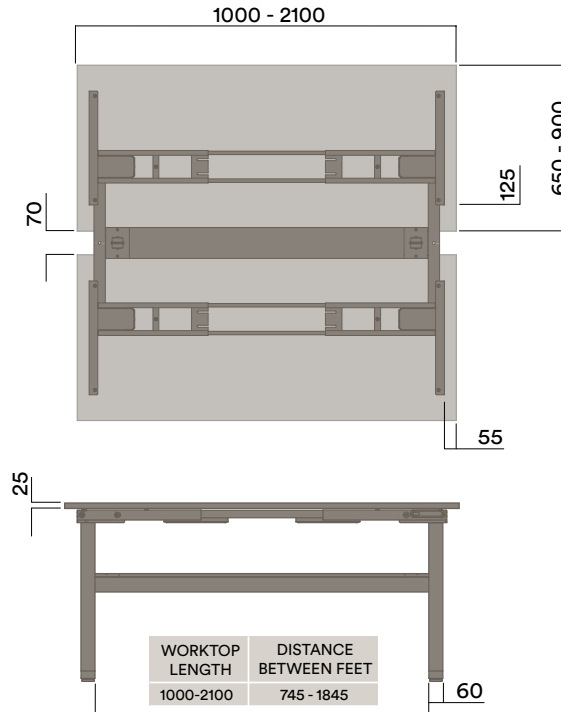
Frame Finish

Powdercoat Steel

- a. Noir
- b. Blanc

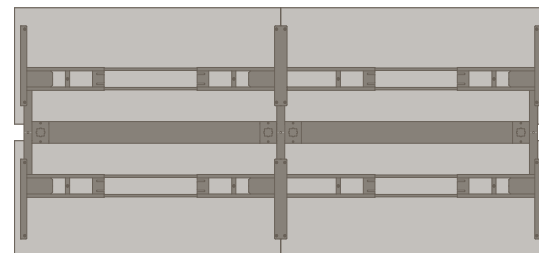
OVF-2002 2pax

H-Frame



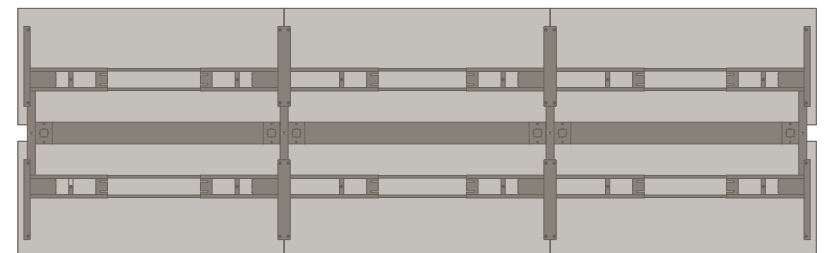
2x OVF-2004

4pax Configuration



3x OVF-2006

6pax Configuration



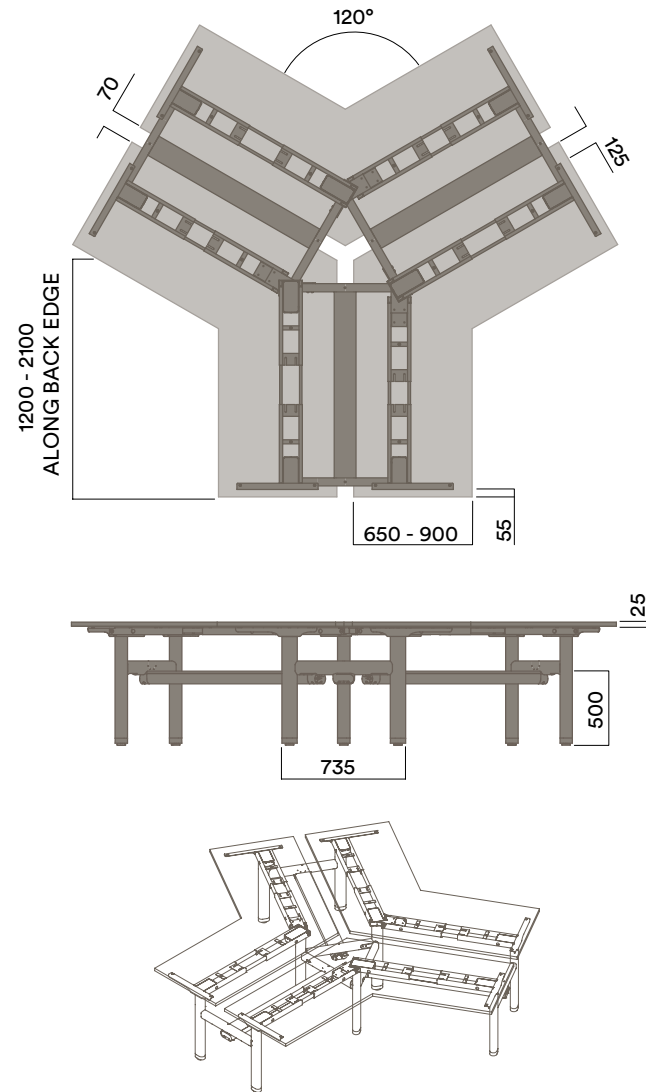
Fixed Double Sided

Materials Information

- Frame Finish**
Powdercoat Steel
- a. Noir
 - b. Blanc

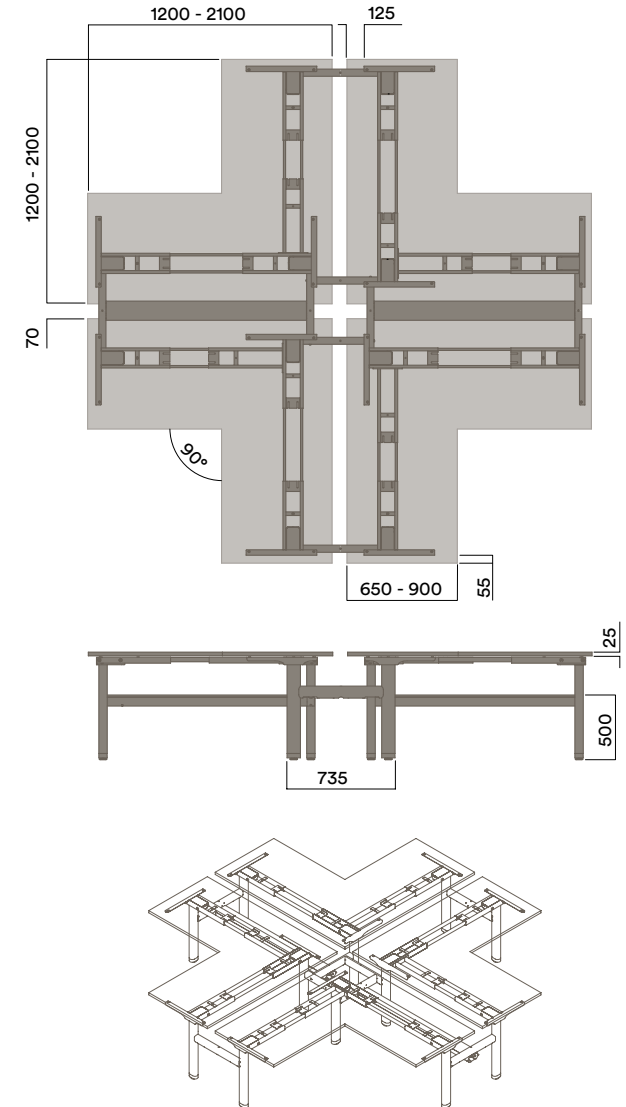
OVF-3000

120deg H-Frame



OVF-4000

90deg H-Frame



Accessories

Cable Management

Materials Information

Cable Tray Body

Powdercoat Aluminium

- a. Noir
- b. Blanc

Cable Tray Lid

Powdercoat Aluminium Extrusion

- a. Noir
- b. Blanc

Cable Tray End Caps

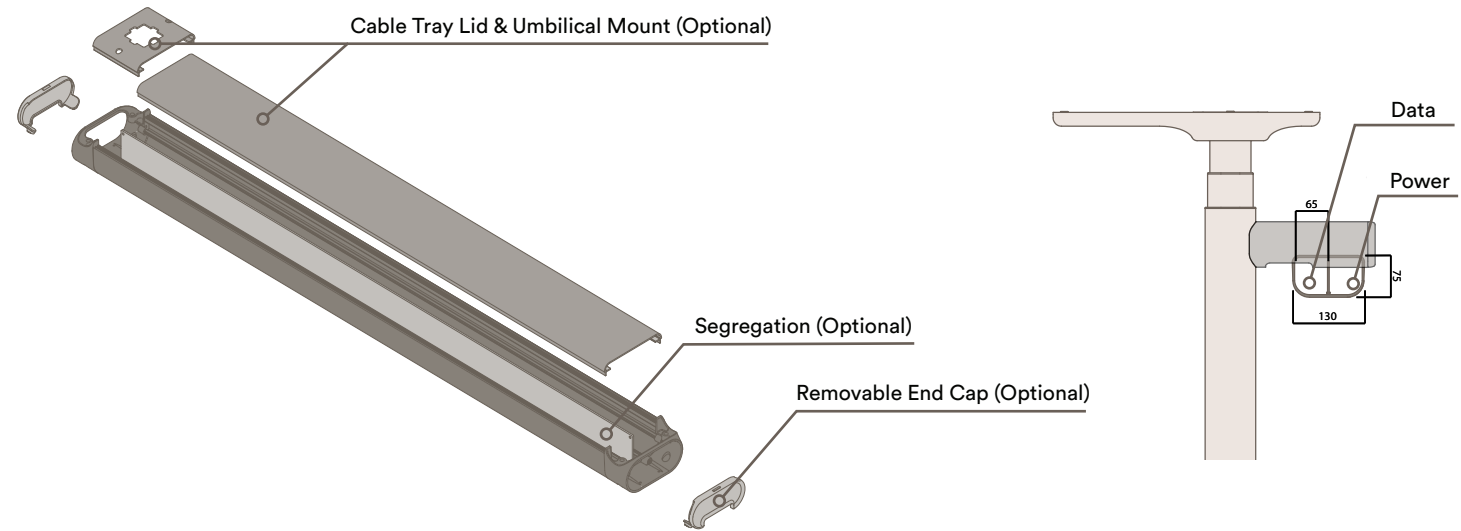
Plastic

- a. Noir
- b. Blanc

WSA-1000 Series

Single Sided Cable Tray

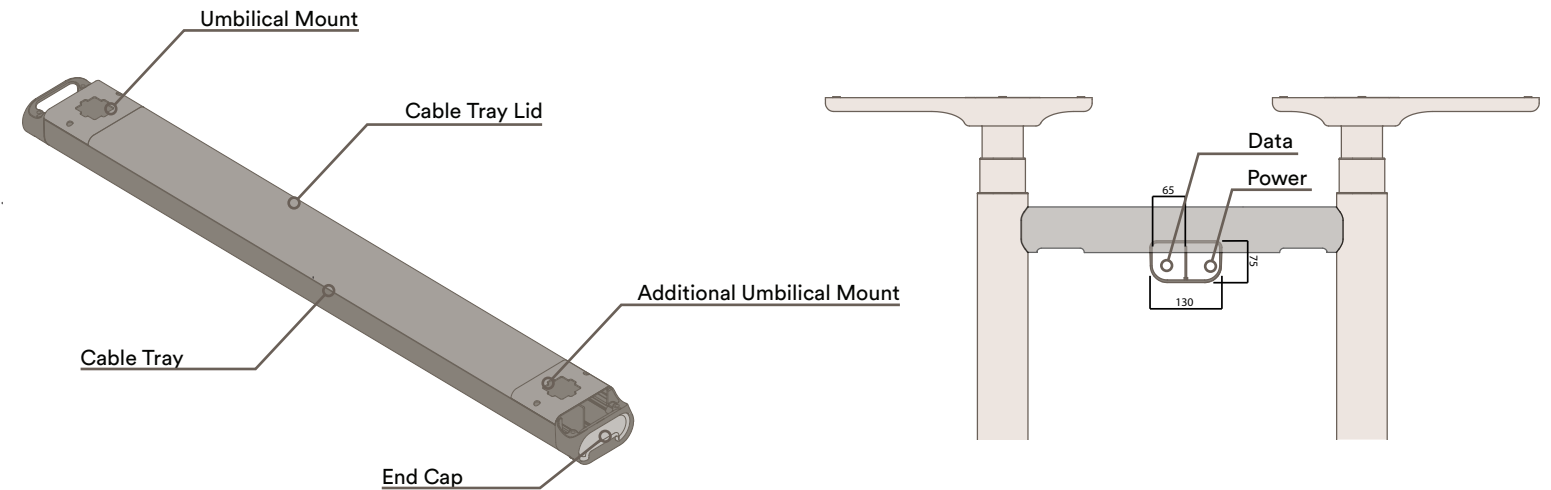
1160/1360/1560/1760/1960mm



WSA-2000 Series

Double Sided Cable Tray

1160/1360/1560/1760/1960mm



Accessories

Cable Management

Materials Information

WSA-5010 Series

Cable Tray Bridge

175-250mm

Cable Tray Bridge Body

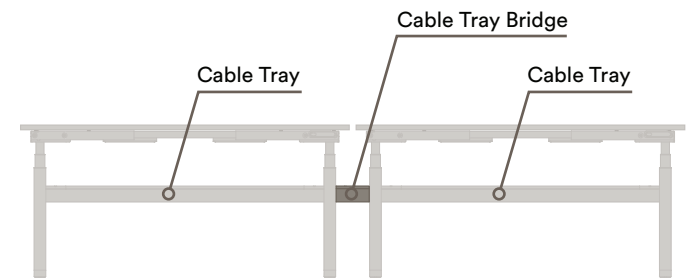
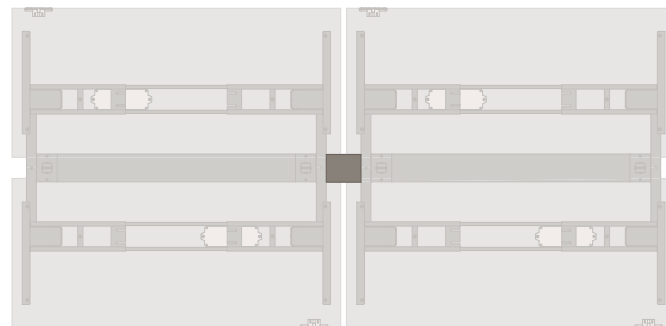
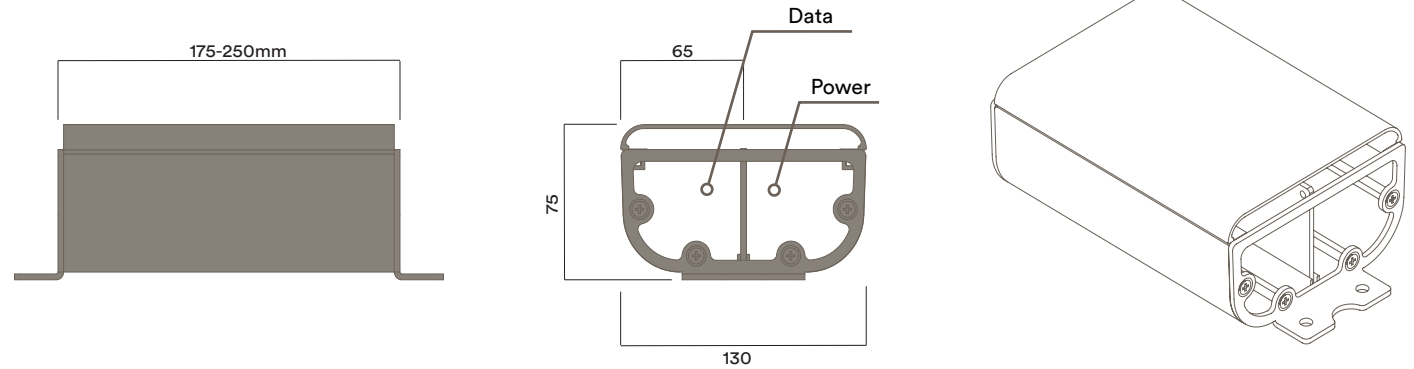
Powdercoat Aluminium

- a. Noir
- b. Blanc

Cable Tray Bridge Lid

Powdercoat Aluminium Extrusion

- a. Noir
- b. Blanc



Accessories

Cable Management

Materials Information

Cable Umbilical

Moulded Plastic

- a. White
- b. Black

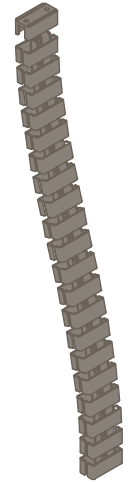
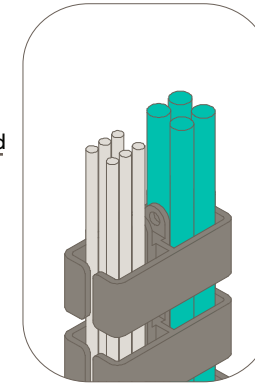
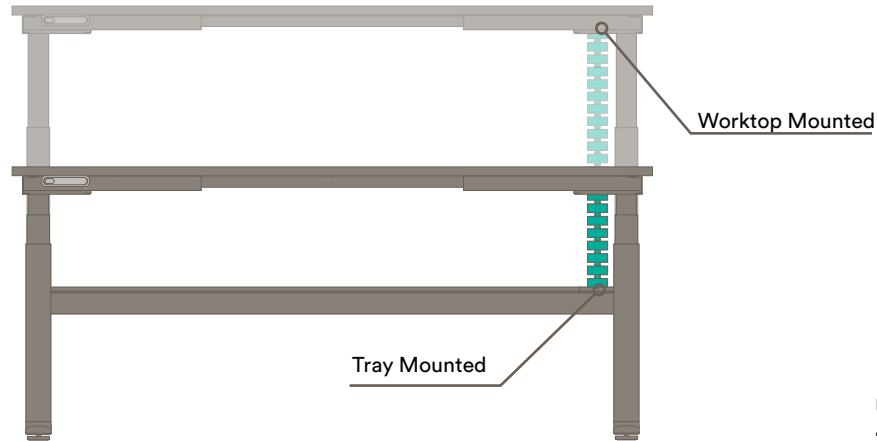
Fabric Umbilical

Fabric

- a. Light Grey

WSA-5001

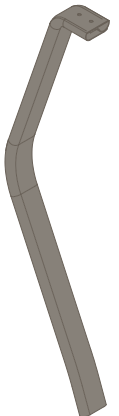
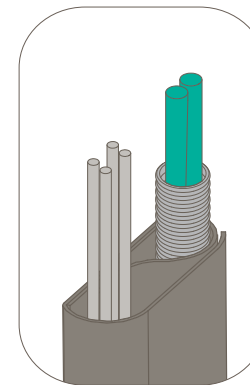
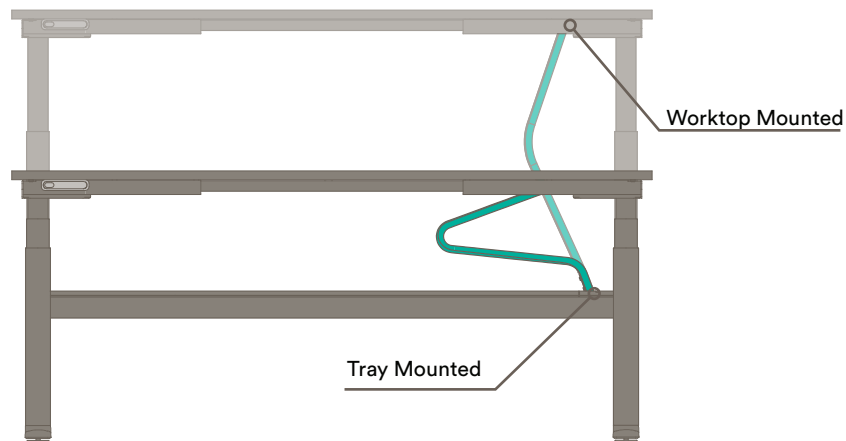
Plastic Cable Umbilical



Umbilical Capacity
4 × 6.5mm 10amp power leads
6 × 6mm Cat 4 / Cat 6 data cables

WSA-5002

Fabric Cable Umbilical



Umbilical Capacity
2 × 6.5mm 10amp power leads in conduit
4 × 6mm Cat 4 / Cat 6 data cables

Accessories

Power Pocket

Materials Information

Power Pocket Bracket

Powdercoat Steel

a. Noir

Fabric Cable Pocket

Fabric

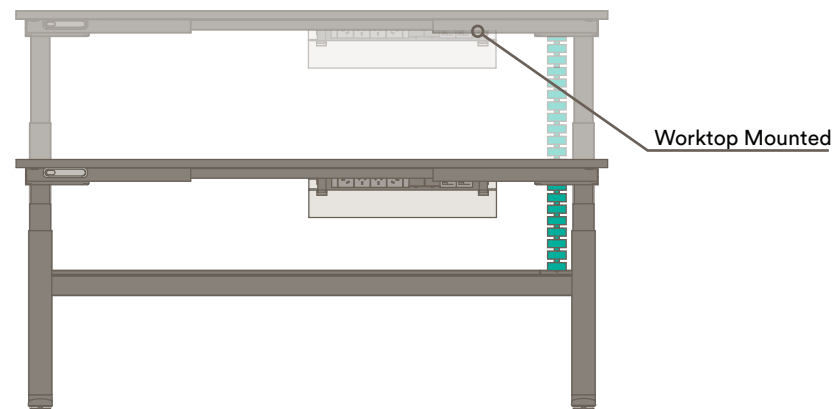
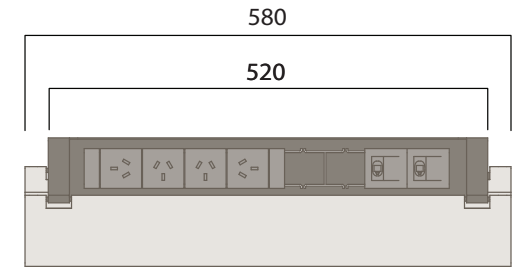
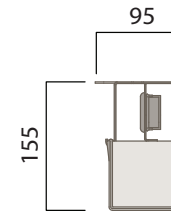
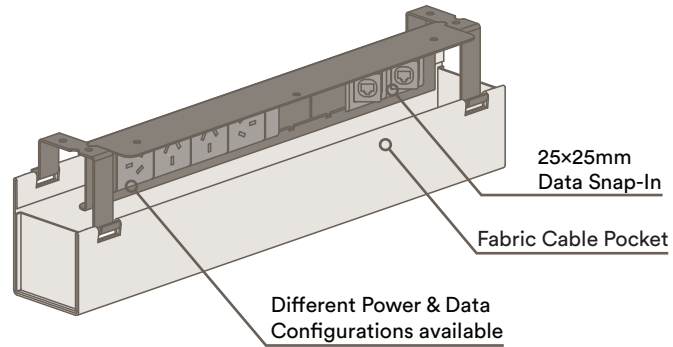
a. Light Grey

Power options for different countries available:

- a. 4 x Power & 2 x Data (AUS)
- b. 6 x Power (AUS)
- c. 4 x Power & 2 x Data (UK)
- d. 6 x Power (UK)

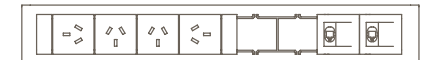
WSA-5003

Power Pocket

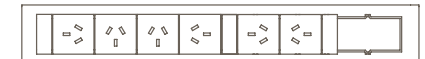


Power & Data Configurations:

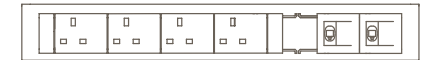
a. Australia 4 x GPO & 2 x Data



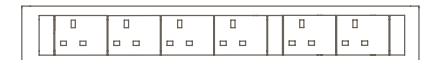
b. Australia 6 x GPO



c. UK 4 x GPO & 2 x Data



d. UK 6 x GPO



Accessories

Power Modesty

Materials Information

Power Pocket Bracket

Powdercoat Steel

a. Noir

Fabric Cable Modesty

Fabric

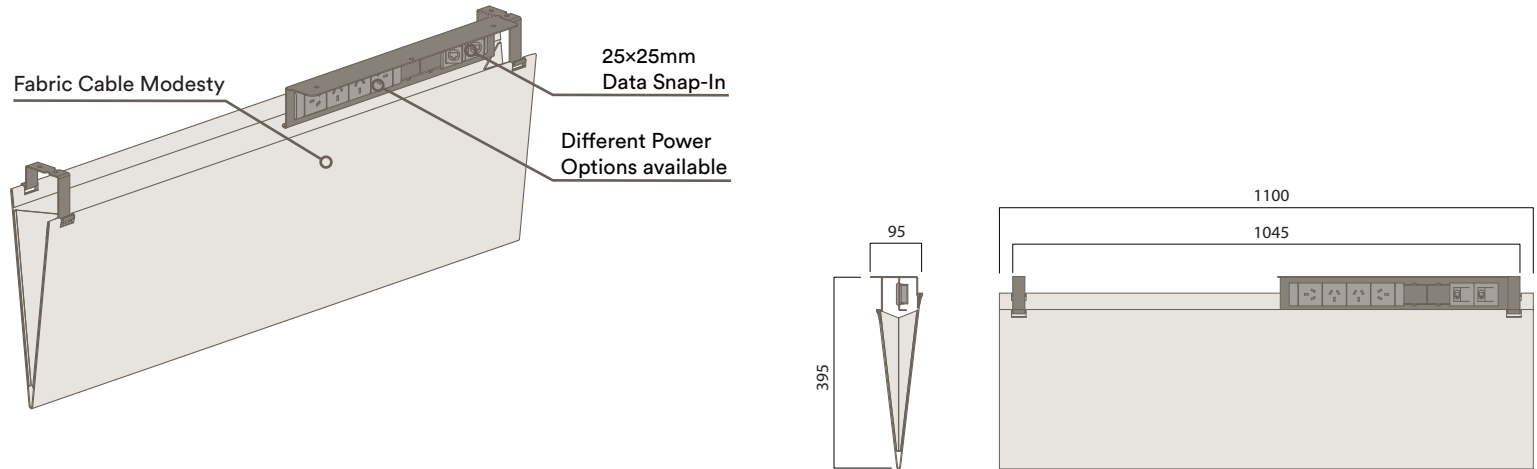
a. Light Grey

Power options for different countries available:

- a. 4 x Power & 2 x Data (AUS)
- b. 6 x Power (AUS)
- c. 4 x Power & 2 x Data (UK)
- d. 6 x Power (UK)

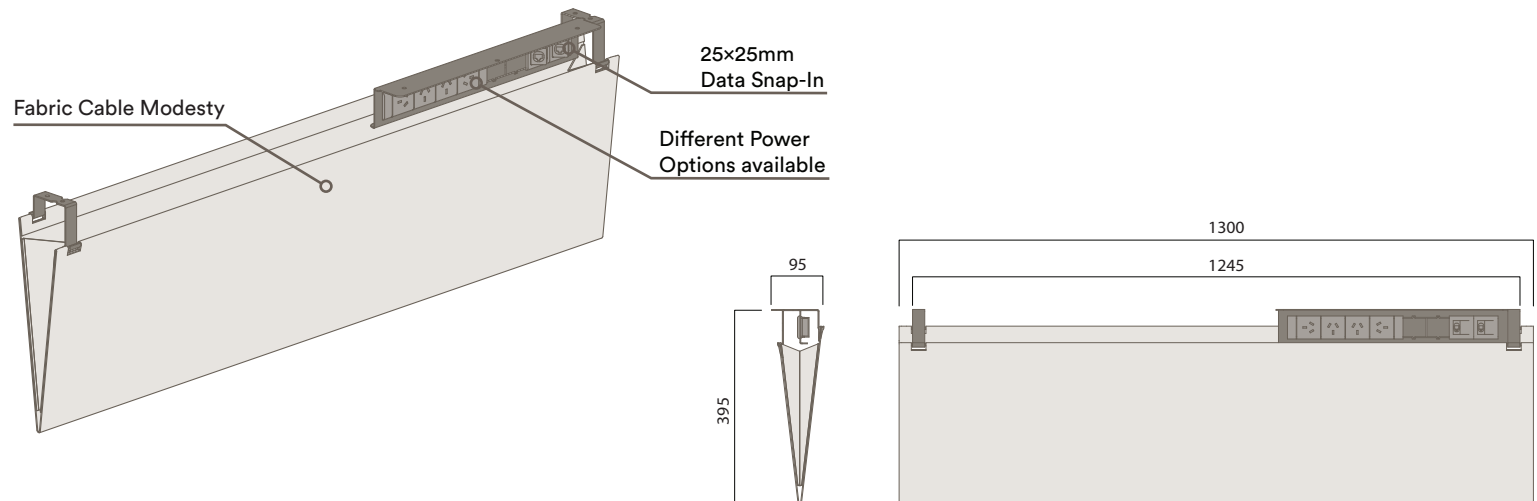
WSA-5004

Power Modesty - Small



WSA-5005

Power Modesty - Large



Accessories

Framed Acoustic Screens

Materials Information

WSA-4100 Series

Worktop Mounted Framed Acoustic Screen

Framed Acoustic Screen

PET Panel

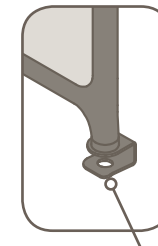
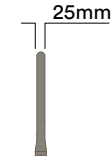
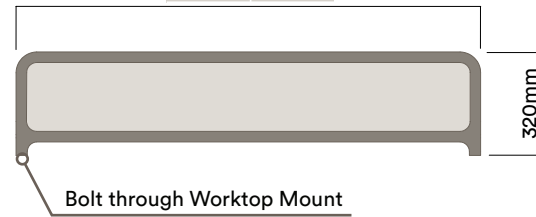
- a. Light Grey
- b. Dark Grey
- c. Upholstered - (Customer Supplied Fabric)

Screen Frame

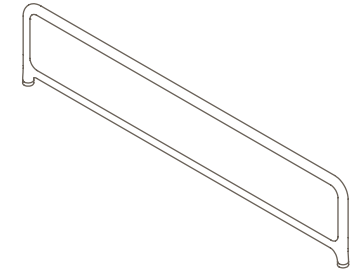
Powdercoat Aluminium Screen Mount and Extrusion

- a. Noir
- b. Blanc

WORKTOP LENGTH*	SCREEN LENGTH
1200	1035
1400	1235
1600	1435
1800	1635
2000	1835



Slide-on Worktop Bracket Option



Acoustic Screen

PET Screen Panel

- a. Light Grey
- b. Dark Grey

Screen Mounts

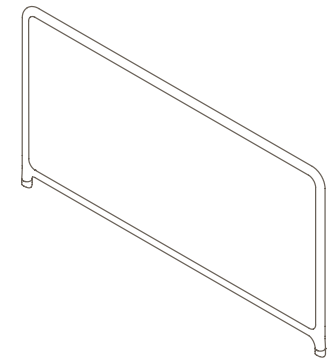
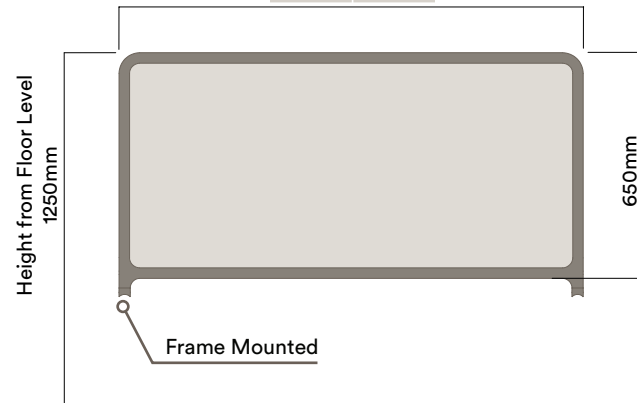
Powdercoat Aluminium Screen Mount

- a. Noir
- b. Blanc

WSA-4100 Series

Central Mounted Framed Acoustic Screen

WORKTOP LENGTH*	SCREEN LENGTH
1200	1035
1400	1235
1600	1435
1800	1635
2000	1835



***Note:**

Shown sizes are for rectangular Worktops only.
For screens to suit 90°, 120° & clusters - please consult your Thinkingworks representative.

Accessories

Frameless Upholstered Screens

Materials Information

WSA-4300 Series

Worktop Mounted Upholstered Screen

Upholstered Screen

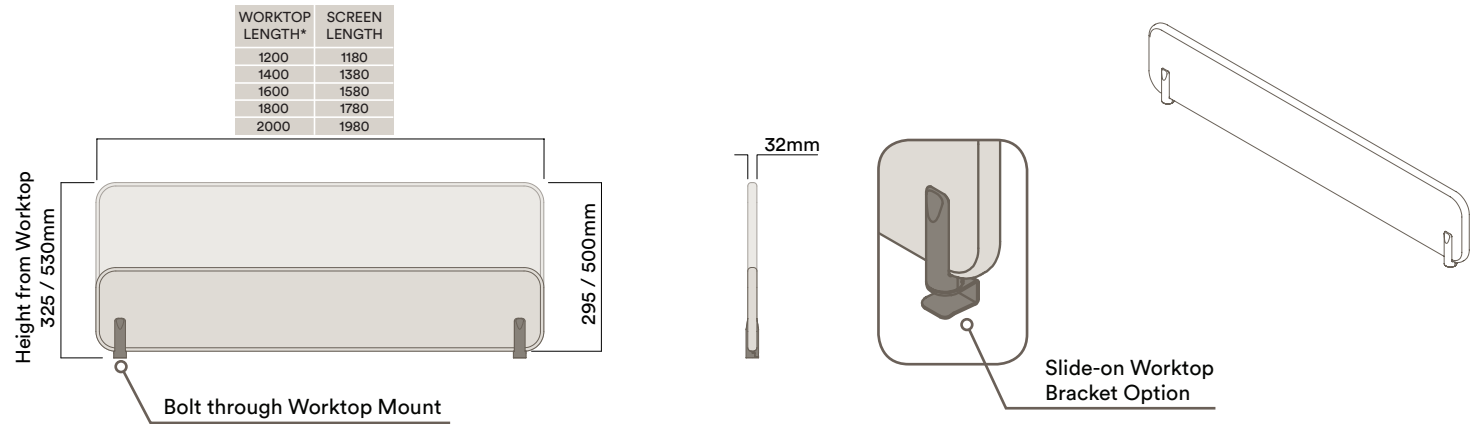
Fabric

- a. Upholstered - (Customer Supplied Fabric)

Screen Mounts

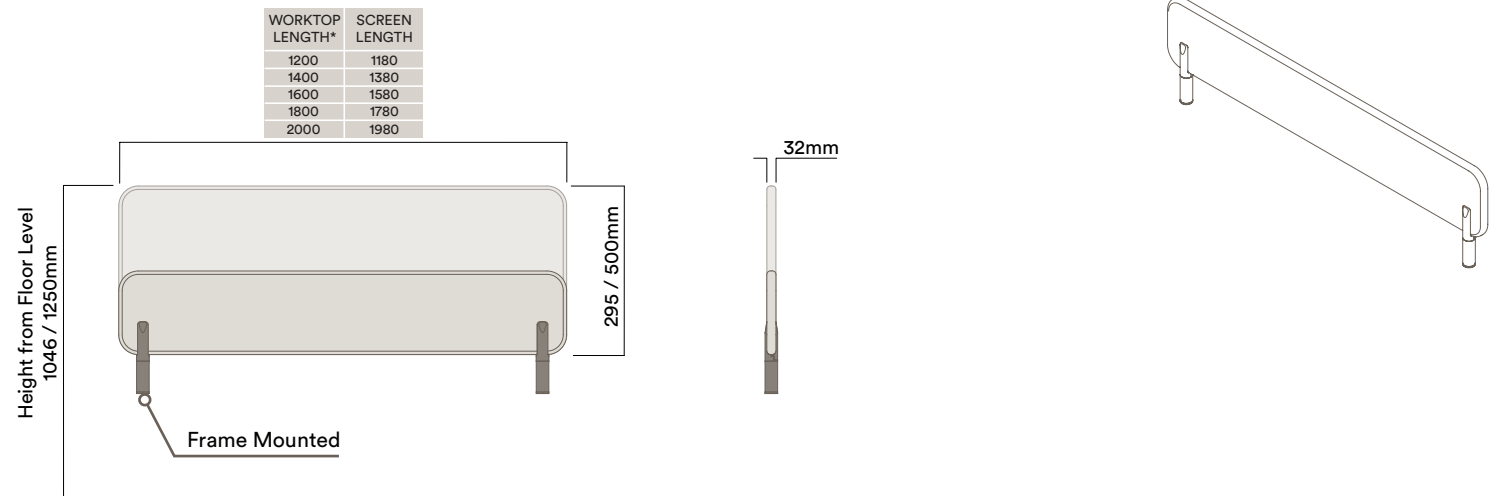
Powdercoat Aluminium Screen Mount and Extrusion

- a. Noir
- b. Blanc



WSA-4300 Series

Central Mounted Upholstered Screen



***Note:**

Shown sizes are for rectangular Worktops only.
For screens to suit 90°, 120° & clusters - please consult your Thinkingworks representative.

Accessories

PET Acoustic Screens

Materials Information

Acoustic Screen

PET Screen Panel

- a. Light Grey
- b. Dark Grey

Screen Mounts

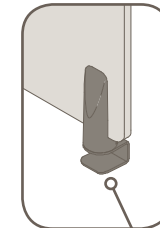
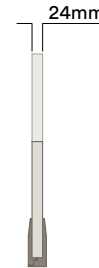
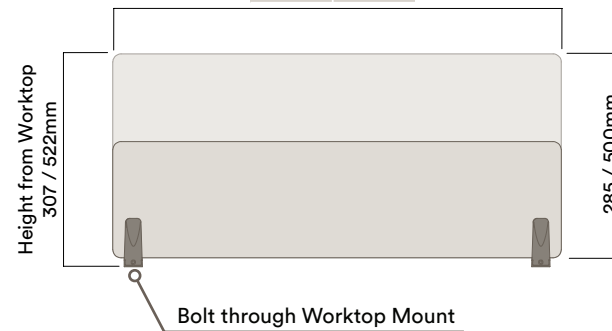
Powdercoat Aluminium Screen Mount and Extrusion

- a. Noir
- b. Blanc

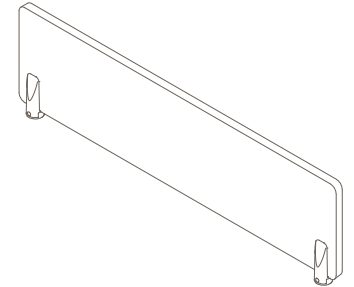
WSA-4000 Series

Worktop Mounted Acoustic PET Screen

WORKTOP LENGTH*	SCREEN LENGTH
1200	1100
1400	1300
1600	1500
1800	1700
2000	1900



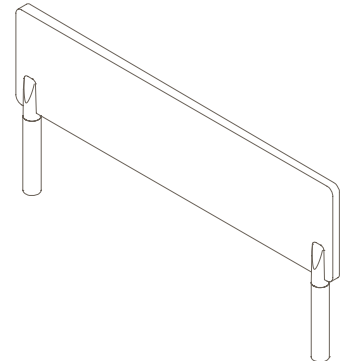
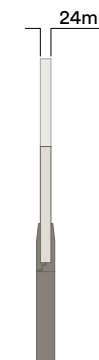
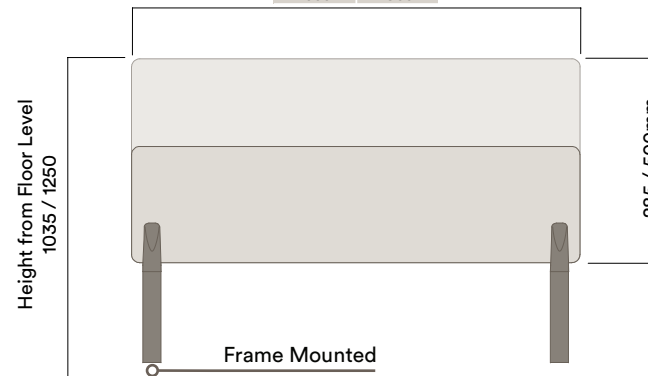
Slide-on Worktop Bracket Option



WSA-4000 Series

Central Mounted Acoustic PET Screen

WORKTOP LENGTH*	SCREEN LENGTH
1200	1100
1400	1300
1600	1500
1800	1700
2000	1900



Accessories

PET Acoustic Screens

Materials Information

Acoustic Screen

PET Panel

- a. Light Grey
- b. Dark Grey

Screen Mounts

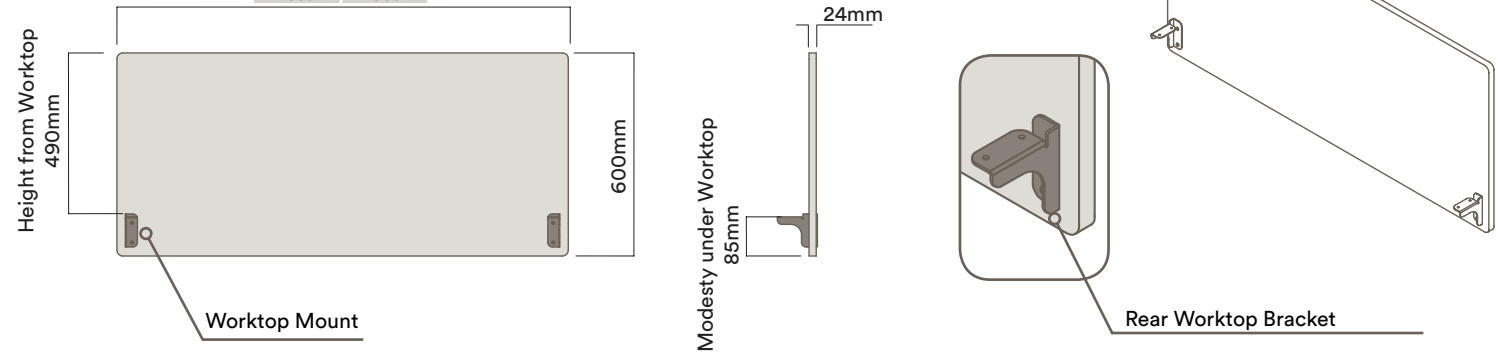
Powdercoat Steel Screen Mount

- a. Noir
- b. Blanc

WSA-4060 Series

Rear Mounted Acoustic Screen & Modesty - Single sided

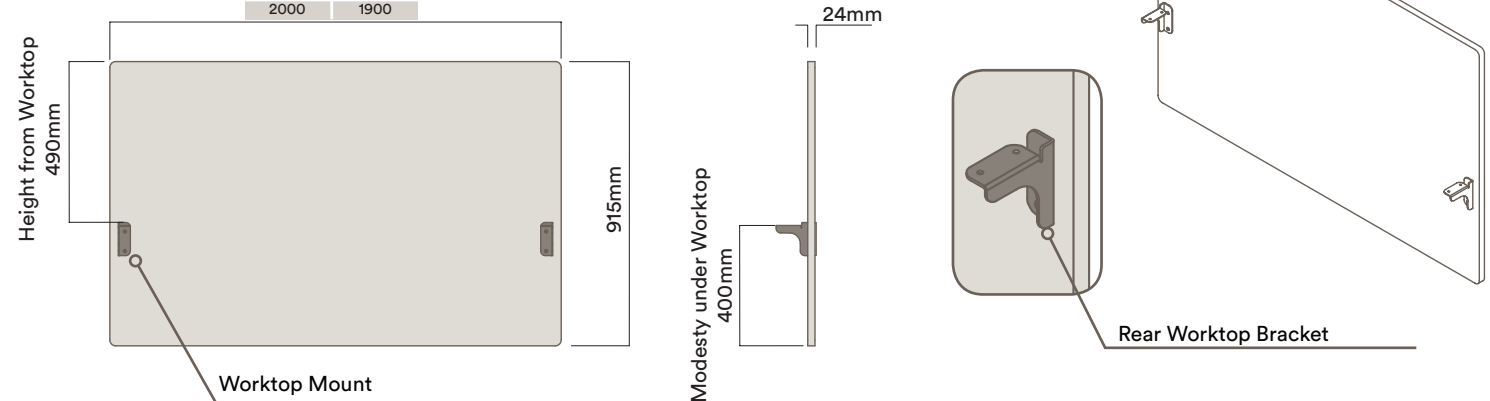
WORKTOP LENGTH*	SCREEN LENGTH
1200	1100
1400	1300
1600	1500
1800	1700
2000	1900



WSA-4060 Series

Rear Mounted Acoustic Screen & Modesty - Double sided

WORKTOP LENGTH*	SCREEN LENGTH
1200	1100
1400	1300
1600	1500
1800	1700
2000	1900



Accessories

Frame Mounted Cable Cover

Materials Information

WSA-5006 / 5007 / 5008

Frame Mounted Cable Cover

Cable Cover

Powdercoat Steel

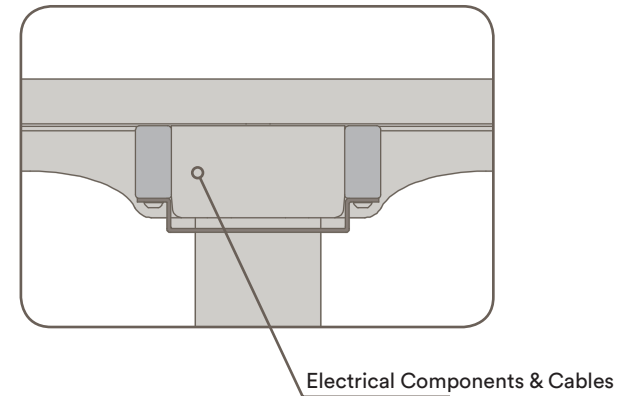
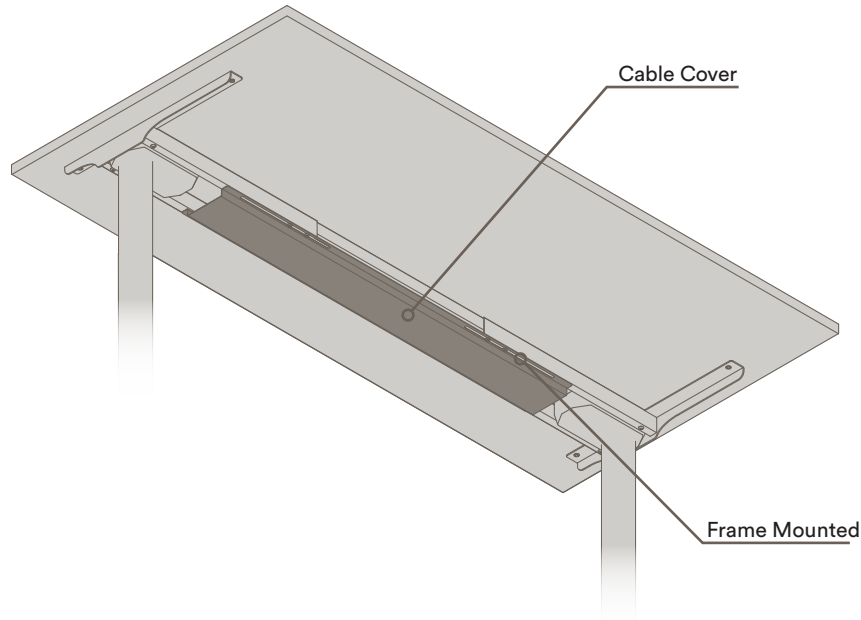
a. Noir

Available in different lengths:

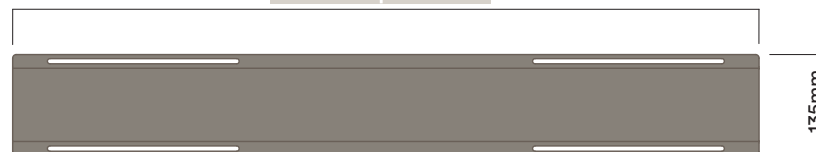
a. 800mm

b. 1000mm

c. 1350mm



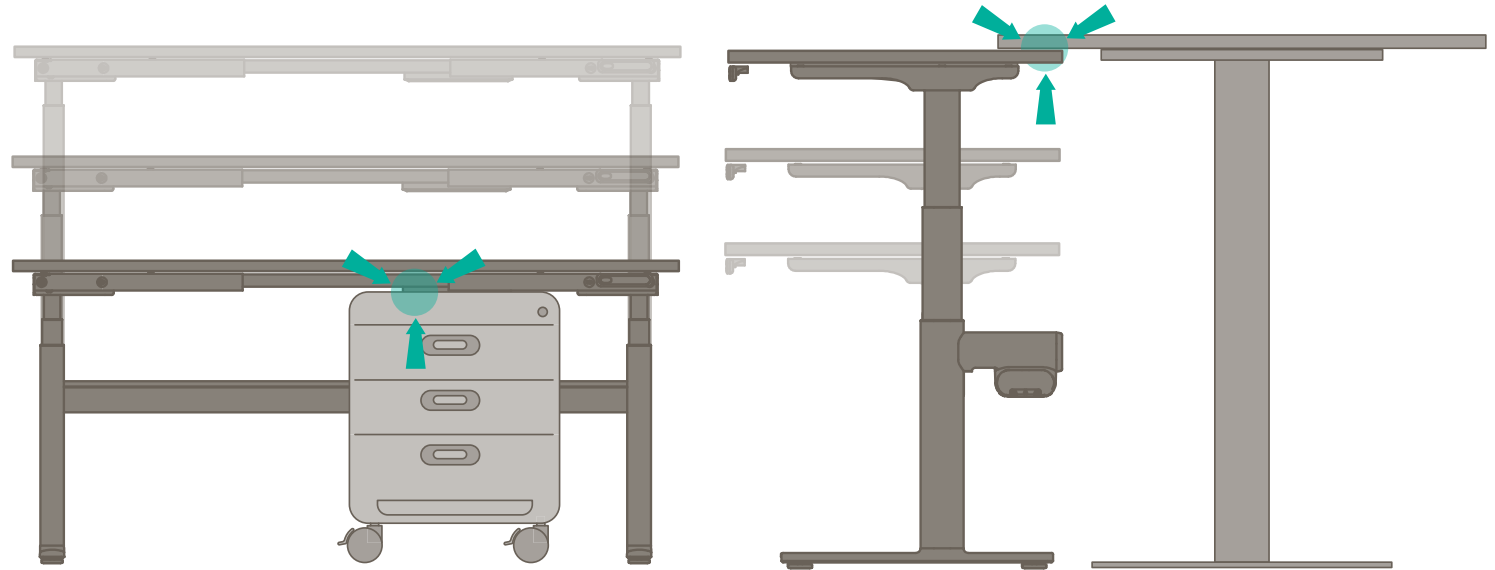
WORKTOP LENGTH*	COVER LENGTH
1200	800
1400	1000
1600	1000
1800	1350
2000	1350



Electric Safety Features

Impact Stop

- Impact Stop system minimises damage to Electric Height Adjustable frames from contact with objects obstructing the path of movement
- Impact Stop initiates while frame is lowering or raising, when 1 second of resistance from an obstruction is detected.
- When resistance is detected, desk will automatically stop then move 50mm in opposite direction in order to clear obstruction.





Specification

If you would like a sample set of any of our finishes, please call us on 61 (0)2 9726 7177 or e-mail at sales@thinkingw.com.

Due to our policy of continuous product development, specifications and finishes may change without prior notice.

Sustainability Policy

We realise the importance of responsible business practices and have in place numerous product and company sustainability certifications. We would encourage you to download our annual Sustainability Report from the Thinking Works website to get a full overview of our sustainability program.

Thinking Works
© Copyright 2019
All right reserved

Thinking Works
25 Helles Avenue
Moorebank
New South Wales 2170

www.thinkingw.com
61 (0)2 9726 7177
sales@thinkingw.com

The logo for sof (sydney office furniture), featuring a stylized red icon of a person sitting at a desk, followed by the lowercase letters "sof" in a bold, black, sans-serif font.
sydney office furniture